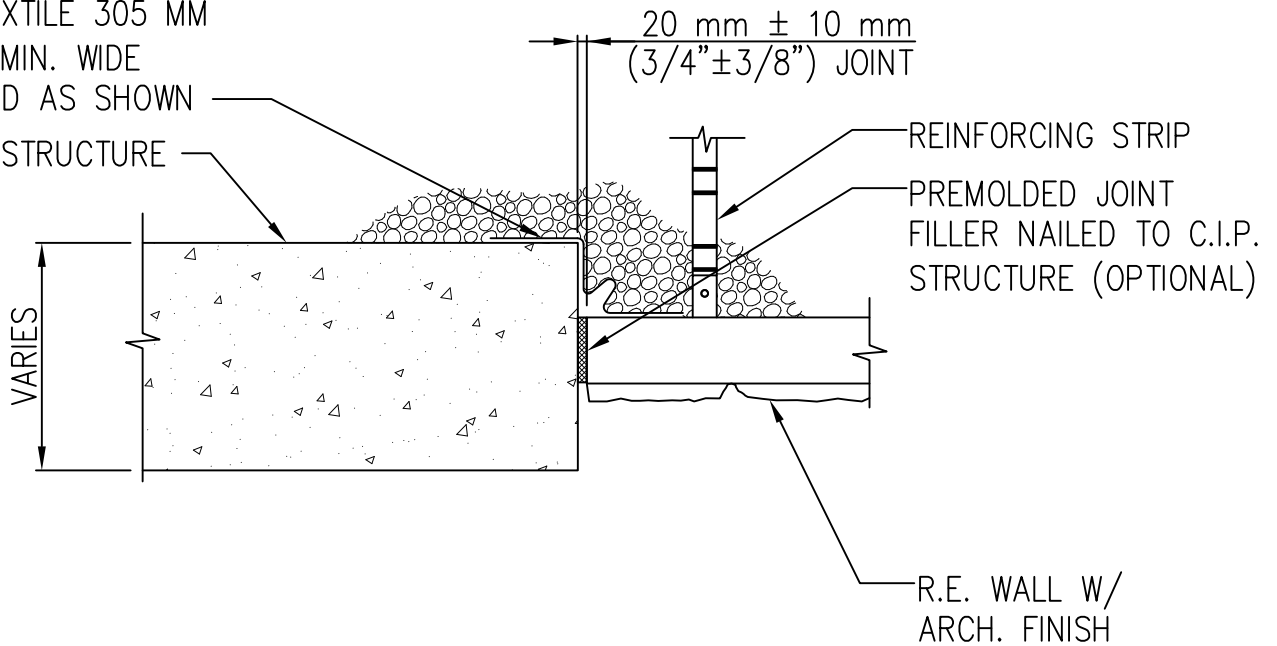


GEOTEXTILE 305 MM  
(12") MIN. WIDE  
PLACED AS SHOWN

C.I.P. STRUCTURE



## PARTIAL PLAN – BUTT JOINT AT C.I.P. STRUCTURES

SCALE: 3/4" = 1' – 0"

### IMPORTANT NOTE ABOUT DIMENSIONS

Dimensions used in this document are for illustrative purposes only and may vary slightly from precise design or fabrication dimensions due to English/Metric conversion or due to simplification appropriate to the guideline character of this manual. When required for design, precise dimensions (each project uses either English or Metric) should be obtained from contract plans or directly from The Reinforced Earth Company. RECO reserves the right to change the dimensions of fabricated materials as needed.



BUTT JOINT DETAIL AT  
C.I.P. STRUCTURES  
(WITHOUT LIP OR NOTCH)

FIGURE NO.	CIP.INT.BUTT
DATE	10/18/2016