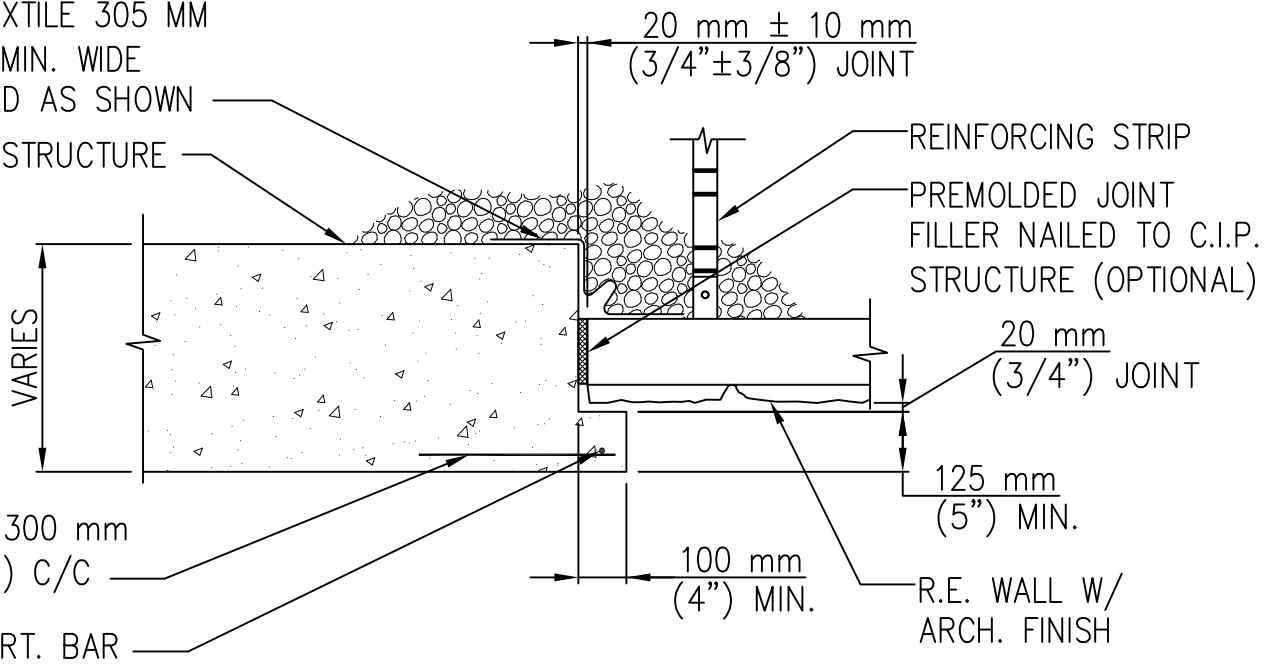


GEOTEXTILE 305 MM
(12") MIN. WIDE
PLACED AS SHOWN

C.I.P. STRUCTURE



#4 @ 300 mm
(1'-0") C/C

#4 VERT. BAR

REINFORCING STRIP

PREMOLDED JOINT
FILLER NAILED TO C.I.P.
STRUCTURE (OPTIONAL)

20 mm
(3/4") JOINT

125 mm
(5") MIN.

100 mm
(4") MIN.

R.E. WALL W/
ARCH. FINISH

PARTIAL PLAN – C.I.P. INTERFACE WITH LIP

SCALE: 3/4" = 1'- 0"

IMPORTANT NOTE ABOUT DIMENSIONS

Dimensions used in this document are for illustrative purposes only and may vary slightly from precise design or fabrication dimensions due to English/Metric conversion or due to simplification appropriate to the guideline character of this manual. When required for design, precise dimensions (each project uses either English or Metric) should be obtained from contract plans or directly from The Reinforced Earth Company. RECo reserves the right to change the dimensions of fabricated materials as needed.



INTERFACE DETAIL AT C.I.P.
STRUCTURES WITH LIP

FIGURE NO.

CIP.INT.LIP

DATE

10/28/2016