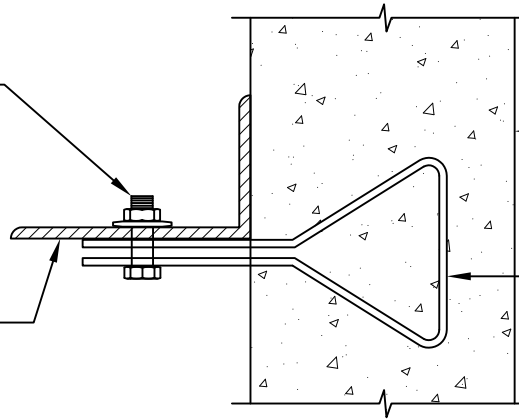


$\frac{1}{2}'' \phi \times 1\frac{1}{4}''$ A449 BOLT

STEEL ANGLE



FRONT FACE OF R.E. WALL

TIE STRIP

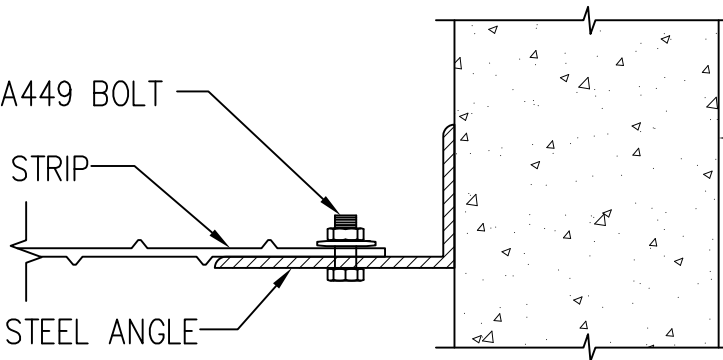
DETAIL ①

ANGLE BOLTED TO TIE STRIP

$\frac{1}{2}'' \phi \times 1\frac{1}{4}''$ A449 BOLT

REINFORCING STRIP

STEEL ANGLE



FRONT FACE OF R.E. WALL

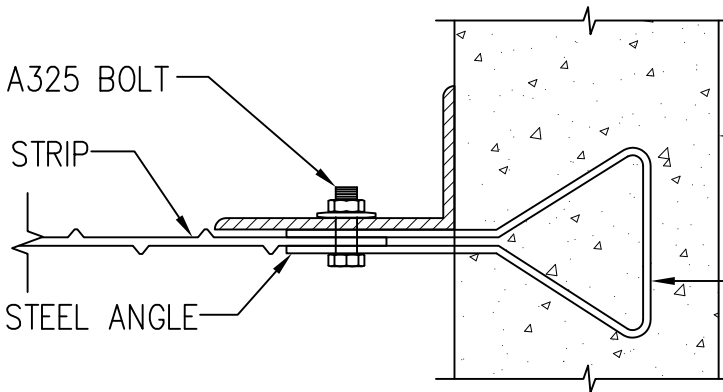
DETAIL ②

SHIFTED REINFORCING STRIP BOLTED TO ANGLE

$\frac{1}{2}'' \phi \times 2''$ A325 BOLT

REINFORCING STRIP

STEEL ANGLE



FRONT FACE OF R.E. WALL

TIE STRIP

DETAIL ③

REINFORCING STRIP AND ANGLE BOLTED TO TIE STRIP

IMPORTANT NOTE ABOUT DIMENSIONS

Dimensions used in this document are for illustrative purposes only and may vary slightly from precise design or fabrication dimensions due to English/Metric conversion or due to simplification appropriate to the guideline character of this manual. When required for design, precise dimensions (each project uses either English or Metric) should be obtained from contract plans or directly from The Reinforced Earth Company. RECo reserves the right to change the dimensions of fabricated materials as needed.



REINFORCING STRIP
CONNECTION DETAILS AT
VERTICAL INCLUSIONS

FIGURE NO.
ANGLE.CONN
DATE
10/27/2016