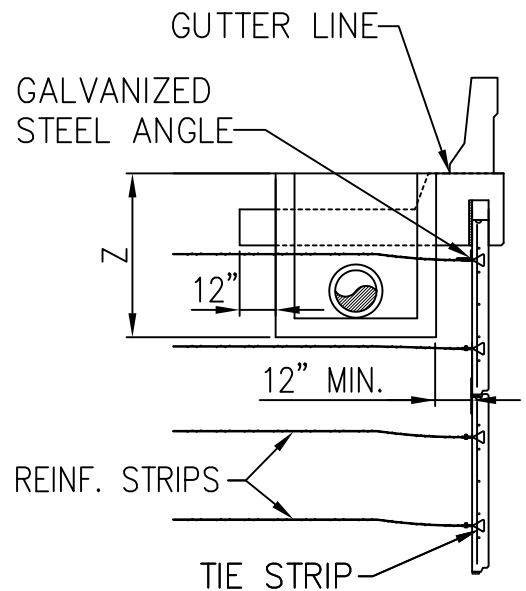
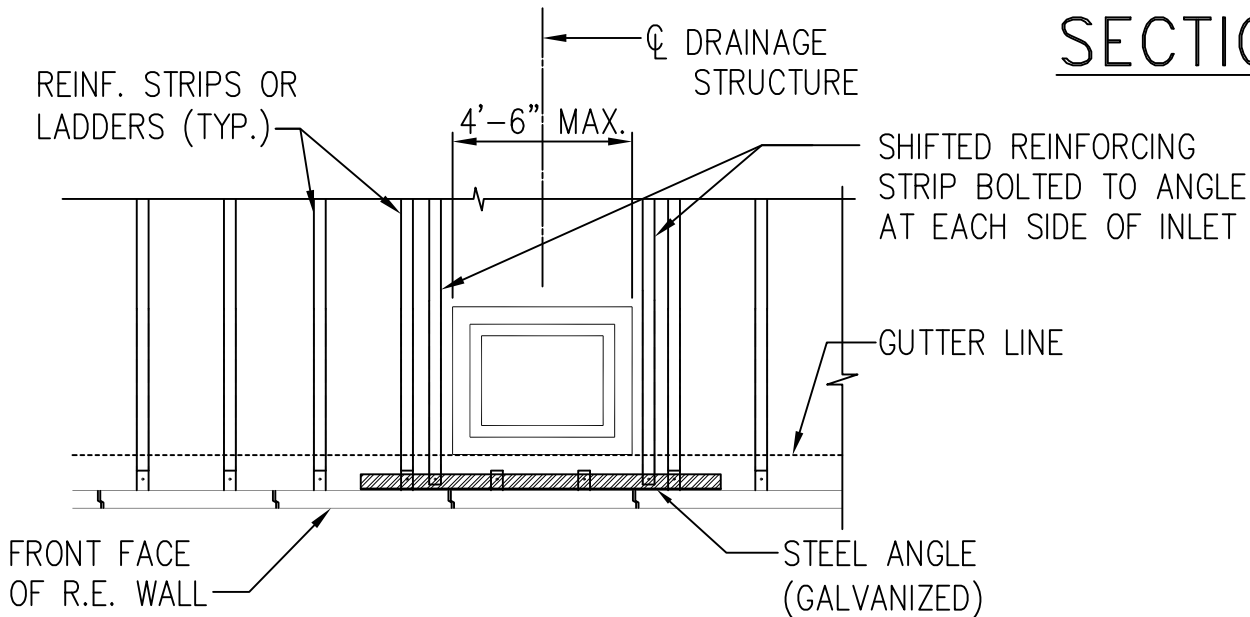


\* STEEL ANGLE, L5" x 3" x 1/4" x 10'-0" (GALVANIZED). ONE ANGLE REQUIRED FOR EACH REINFORCING STRIP LEVEL WITH INLET INTERFERENCE

## PARTIAL ELEVATION



## SECTION A-A



## PARTIAL PLAN

\*THIS DETAIL IS APPLICABLE FOR SHALLOW INLETS ( $Z < 7'$ )

### IMPORTANT NOTE ABOUT DIMENSIONS

Dimensions used in this document are for illustrative purposes only and may vary slightly from precise design or fabrication dimensions due to English/Metric conversion or due to simplification appropriate to the guideline character of this manual. When required for design, precise dimensions (each project uses either English or Metric) should be obtained from contract plans or directly from The Reinforced Earth Company. RECo reserves the right to change the dimensions of fabricated materials as needed.



TYPICAL TREATMENT OF  
DRAINAGE STRUCTURE BEHIND  
R.E. WALL

FIGURE NO.  
ANGLE.AT.INLET  
DATE  
10/26/2016