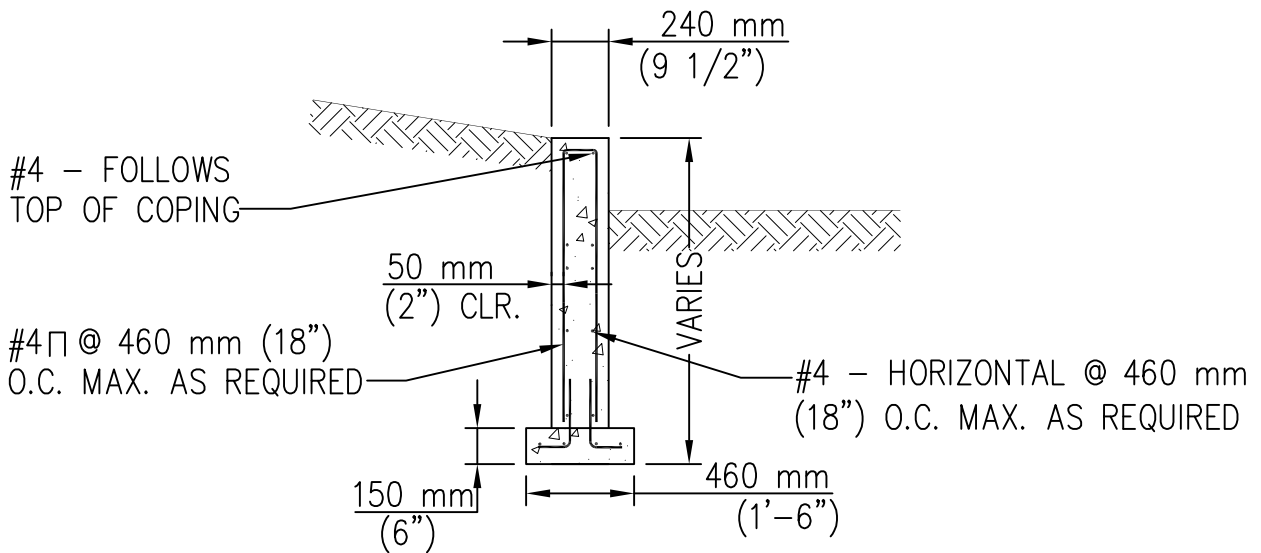


**PARTIAL PLAN**



**SECTION A-A**

**C.I.P. COPING ENCLOSURE DETAIL**

SCALE: 3/8" = 1' - 0"

**NOTE:**

COPING TERMINATION AT END OF WALL TO BE SPECIFIED BY ENGINEER. DEPENDING ON END OF WALL GRADING, IT MAY BE POSSIBLE TO SIMPLY END COPING AT THE EDGE OF MSE FACING PANEL.

**IMPORTANT NOTE ABOUT DIMENSIONS**

Dimensions used in this document are for illustrative purposes only and may vary slightly from precise design or fabrication dimensions due to English/Metric conversion or due to simplification appropriate to the guideline character of this manual. When required for design, precise dimensions (each project uses either English or Metric) should be obtained from contract plans or directly from The Reinforced Earth Company. RECo reserves the right to change the dimensions of fabricated materials as needed.



C.I.P. COPING ENCLOSURE  
DETAIL AT END OF WALL

FIGURE NO.  
CIP.COP.EOW  
DATE  
10/26/2016