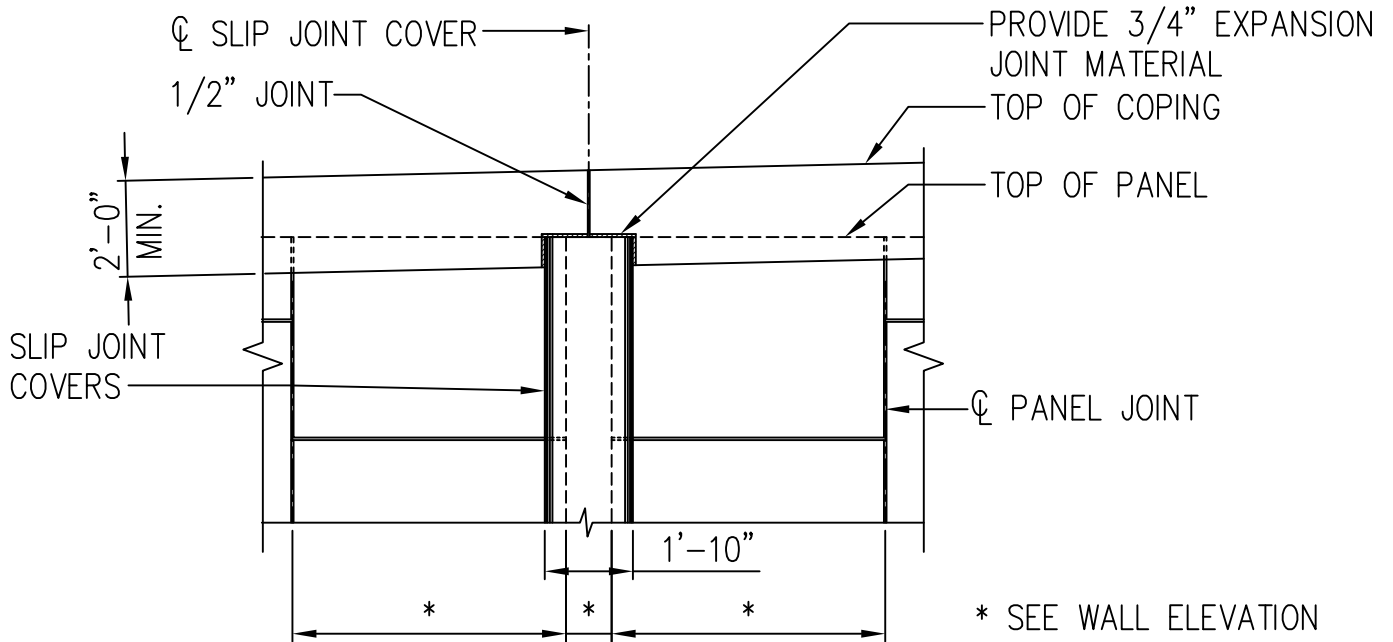


**OPTION 1**



**OPTION 2**

# C.I.P. COPING OVER SLIP JOINT COVER

SCALE: 1/4" = 1' - 0"

**IMPORTANT NOTE ABOUT DIMENSIONS**

Dimensions used in this document are for illustrative purposes only and may vary slightly from precise design or fabrication dimensions due to English/Metric conversion or due to simplification appropriate to the guideline character of this manual. When required for design, precise dimensions (each project uses either English or Metric) should be obtained from contract plans or directly from The Reinforced Earth Company. RECo reserves the right to change the dimensions of fabricated materials as needed.



C.I.P. COPING OVER SLIP JOINT  
RECTANGULAR OR SQUARE  
PANELS

FIGURE NO.  
CIP.AT.SJ2  
DATE  
11/29/2016