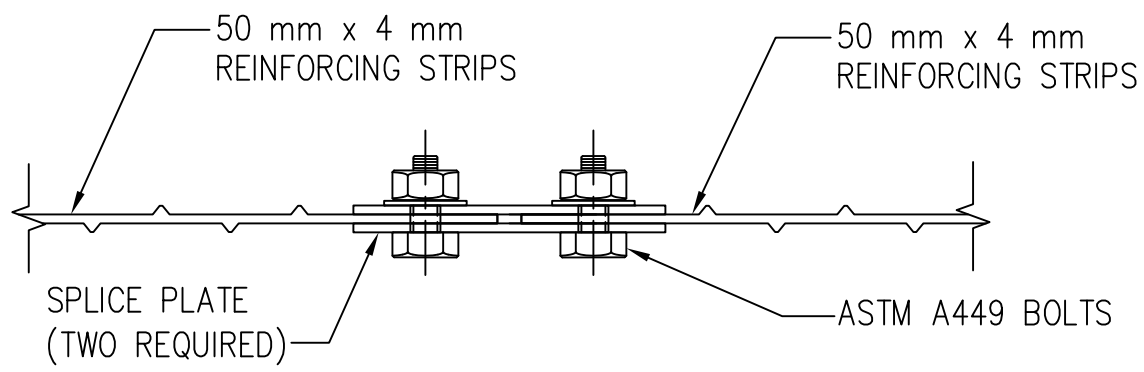


PLAN VIEW
SCALE: 3" = 1'-0"



SECTION A-A
SCALE: 3" = 1'-0"

DOUBLE SHEAR SPLICE CONNECTION DETAIL

SCALE: 3" = 1'- 0"

NOTE:
USE SPLICE CONNECTION DETAIL (DOUBLE SHEAR)
WHEN TOTAL STRIP LENGTH IS GREATER THAN 40 FT.,
OR WHEN OTHERWISE REQUIRED BY PLANS.

IMPORTANT NOTE ABOUT DIMENSIONS

Dimensions used in this document are for illustrative purposes only and may vary slightly from precise design or fabrication dimensions due to English/Metric conversion or due to simplification appropriate to the guideline character of this manual. When required for design, precise dimensions (each project uses either English or Metric) should be obtained from contract plans or directly from The Reinforced Earth Company. RECo reserves the right to change the dimensions of fabricated materials as needed.



SPLICE CONNECTION DETAIL
(DOUBLE SHEAR)

FIGURE NO. DOUBLE.SPLICE
DATE 10/27/2016